

FC-85

FORESTER
FORESTRY EQUIPMENT



Phone
+372 5555 7000



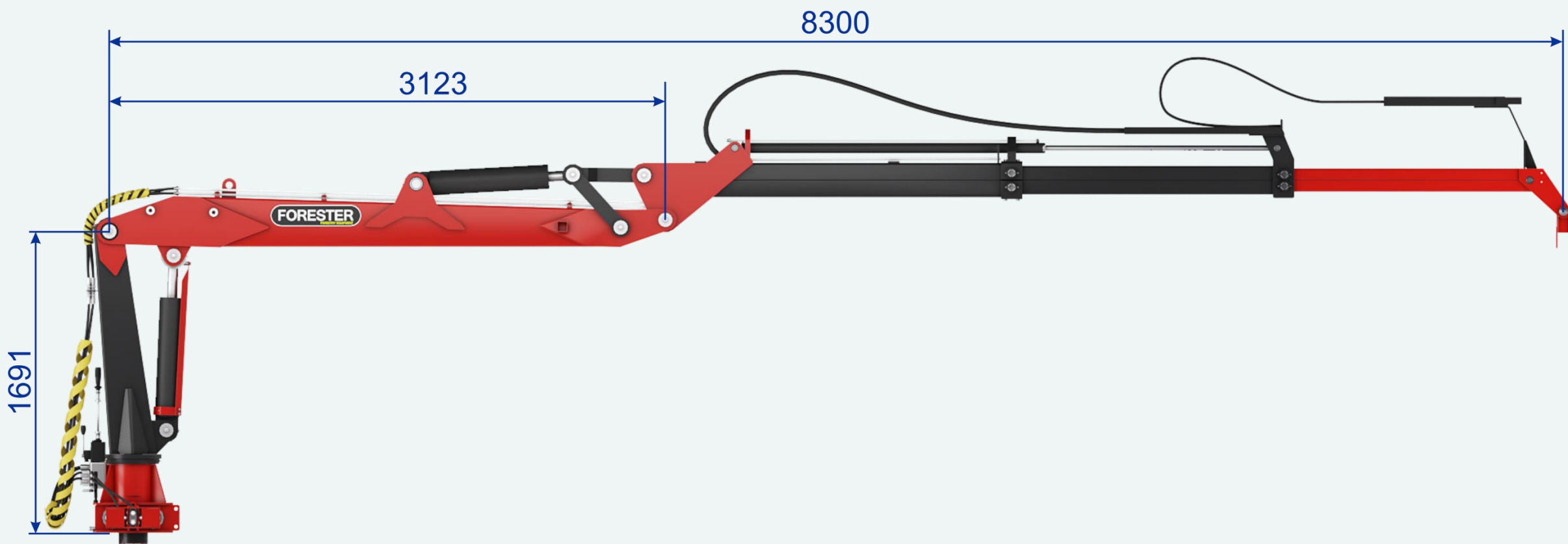
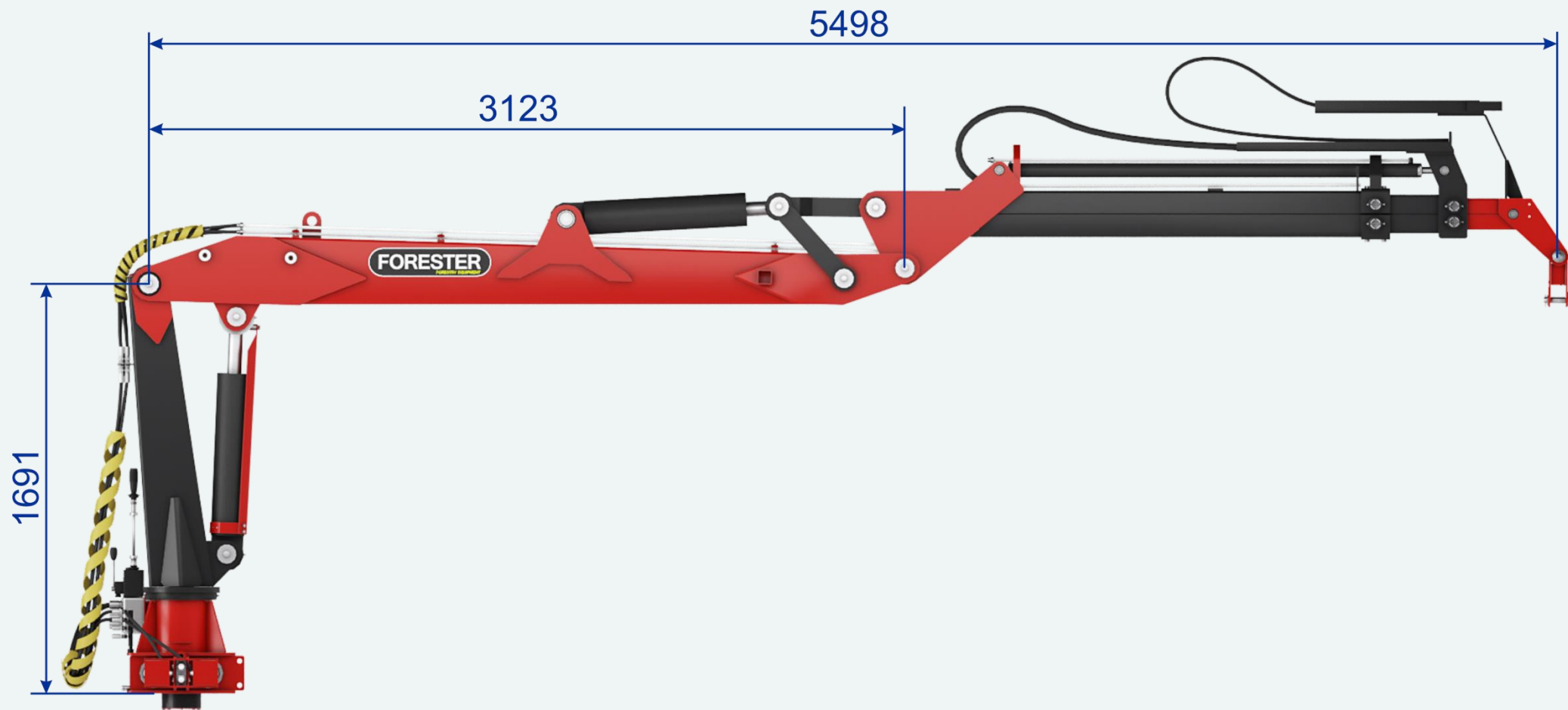
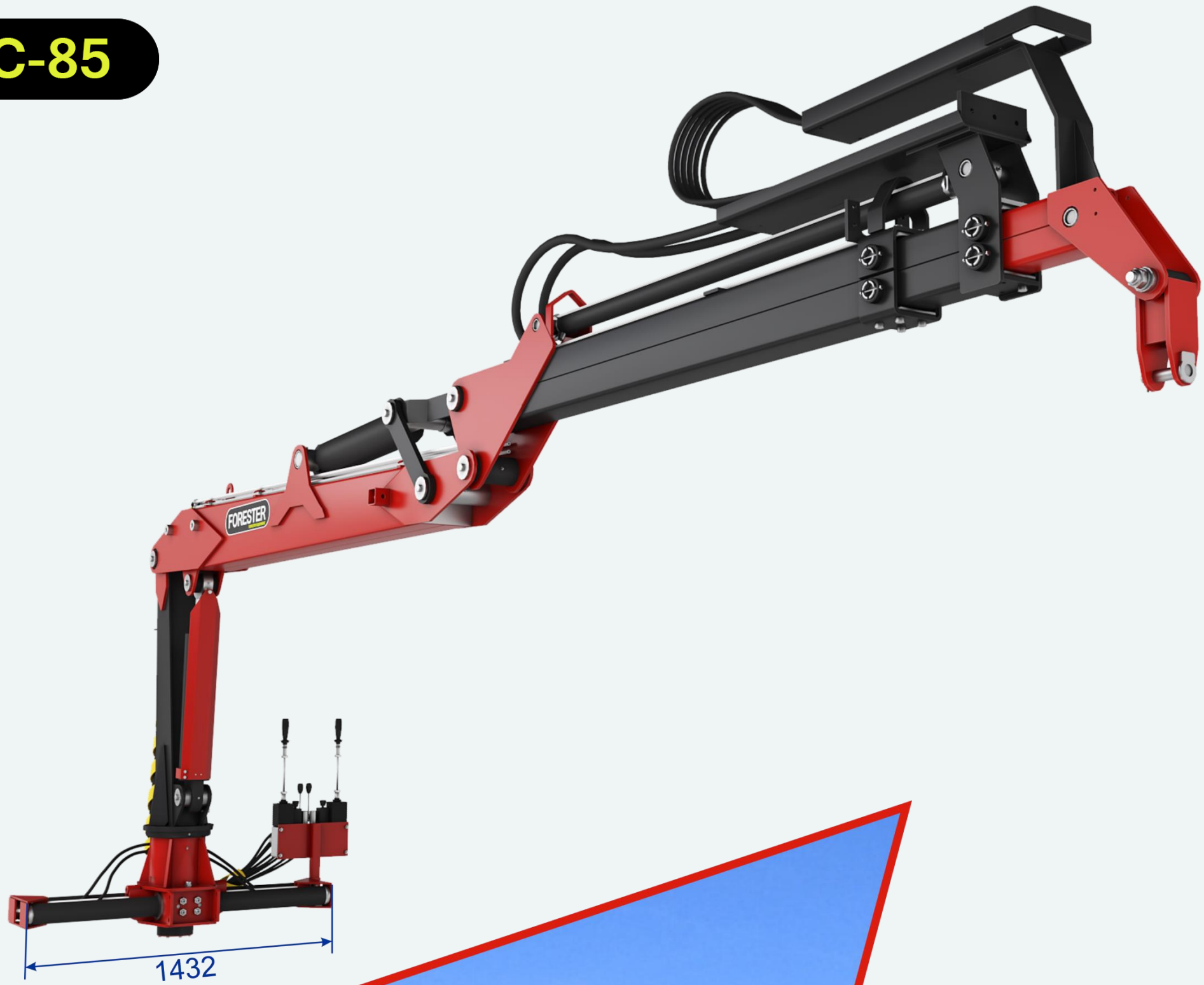
Address
Aruküla tee 9, Tartu 51017



E-mail
info@forester.ee

FC-85

FORESTER
FORESTRY EQUIPMENT



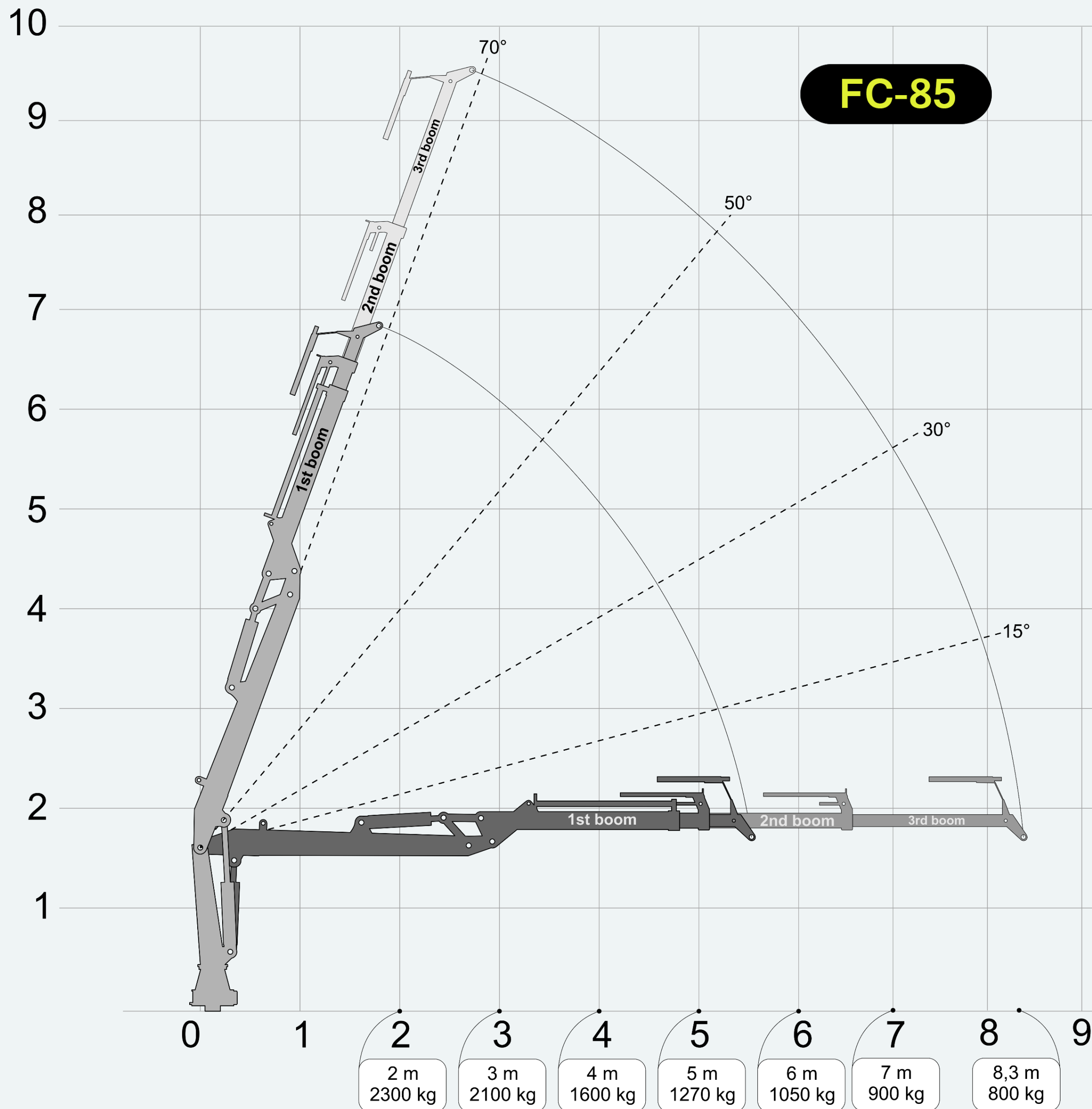
FC-85

FORESTER
FORESTRY EQUIPMENT

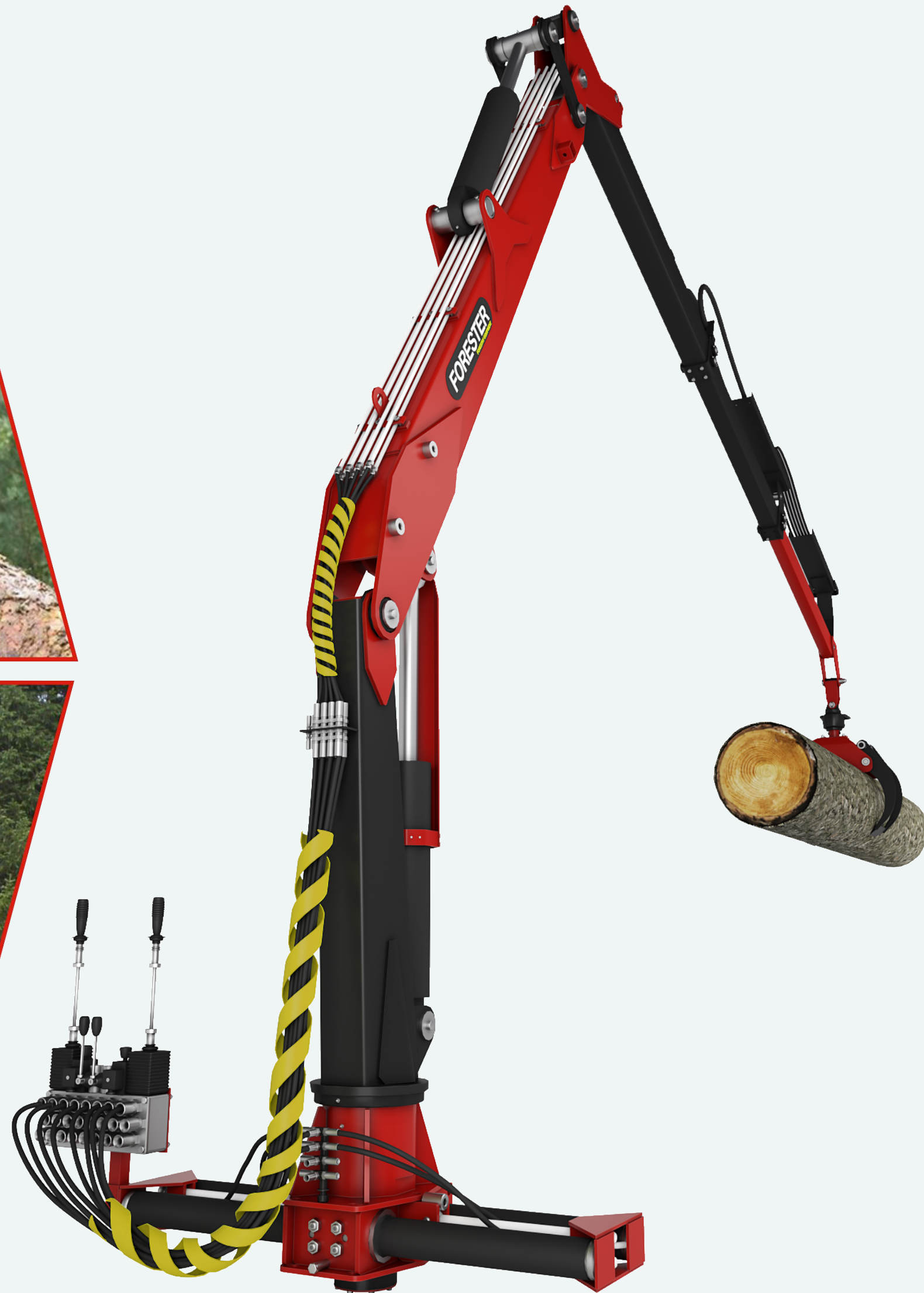


Specifications

Lifting capacity at max. outreach, kg	800
Max. outreach, mm	8500
Telescope(s) outreach, m	2800
Slewing cylinders, pcs:	4
Slewing angle, degrees:	360
Max. operating pressure, bar:	175
Slewing torque, kNm:	15
Lifting torque, gross kNm:	75
Booms, pcs:	3
Weight, kg	1230



- The design of the rotary column allows to withstand extreme loads;
- The use of hydraulic control valves ensures smooth running and high speed of operation;
- The entire hydraulic system is equipped with hydraulic locks;
- The hydraulic system is equipped with reliable protection against mechanical damage to the system components, pipelines and RVD;
- Hydraulic locks protect the CMU from overload, thereby ensuring the requirements of the standards and increasing the service life of hydraulic manipulators;
- Hydraulic equipment is characterized by maximum reliability of operation, high productivity, perfect product quality, versatility, modern level of automation;
- Excellent balance and easy handling of crane-manipulator plants for all components.



- Extended access to moved goods with a small dead zone under the manipulator.
- Control system: ON/OFF;D3M;2+4; radio remote control.
- Reliable mechanism of rotation of the manipulator with increased torque due to the simultaneous operation of 4 cylinders.

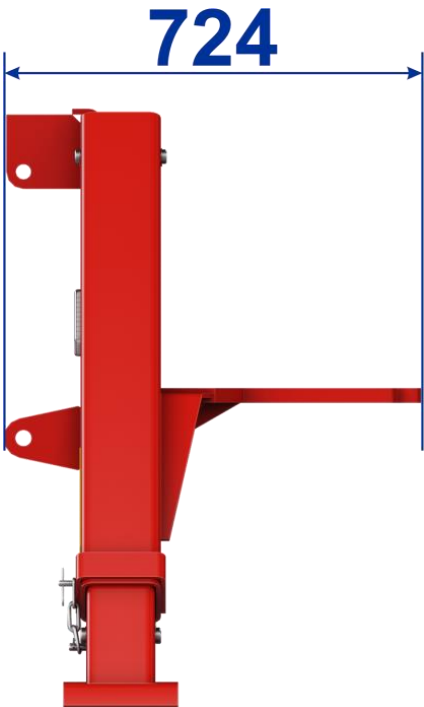
Optional equipment:	Hydraulic pump
	Hydraulic winch

Recommended equipment:	
Forest grippers:	FG-20; FG-26
Grippers for scrap:	FBG-20; FBG-26
Bucket gripper:	FG-20 + KORR
Gripper for hay:	FG-26
Guillotine:	GFG-120

FC-85



Three-point hitch with crane for tractors



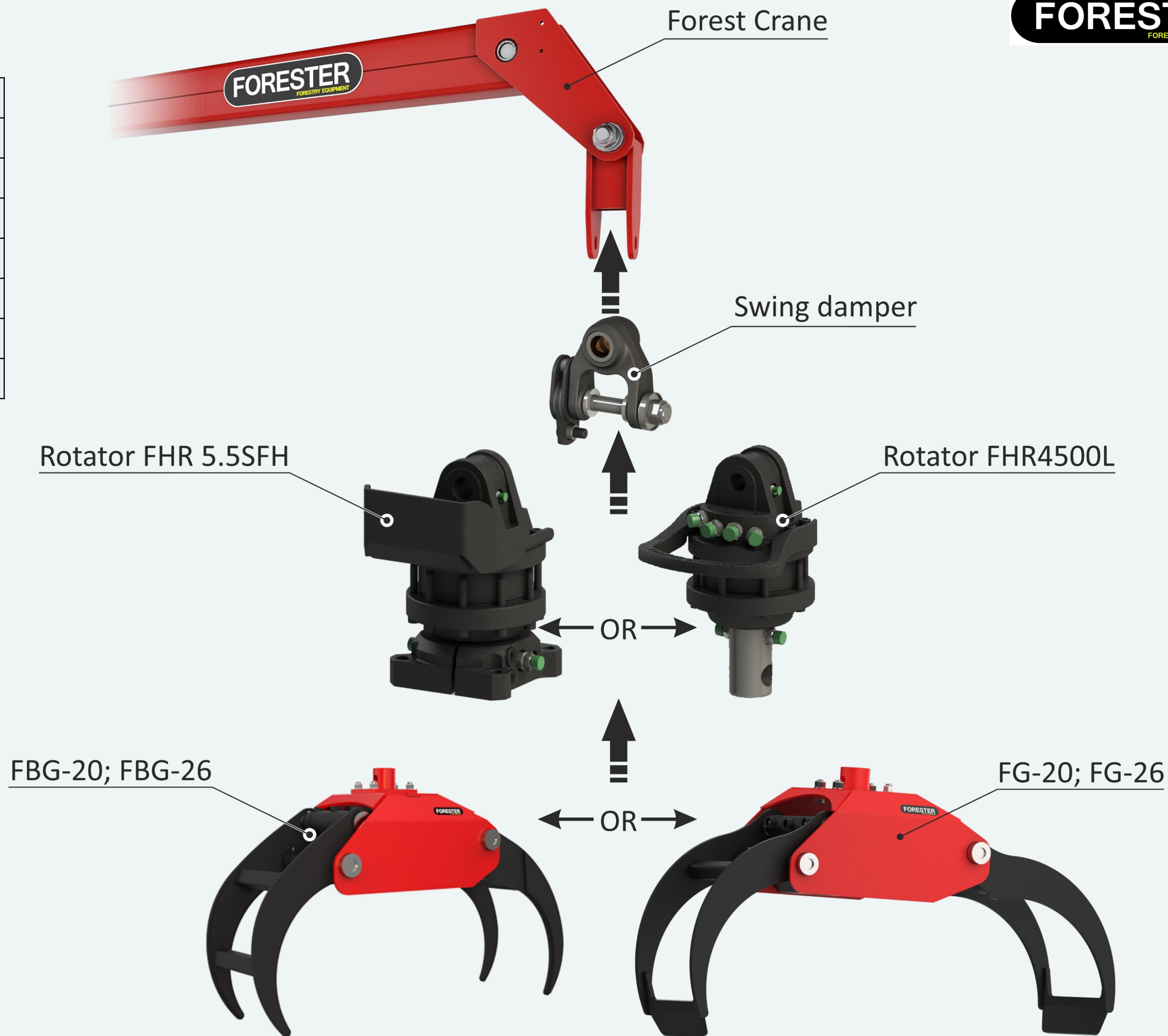
FORESTER
FORESTRY EQUIPMENT

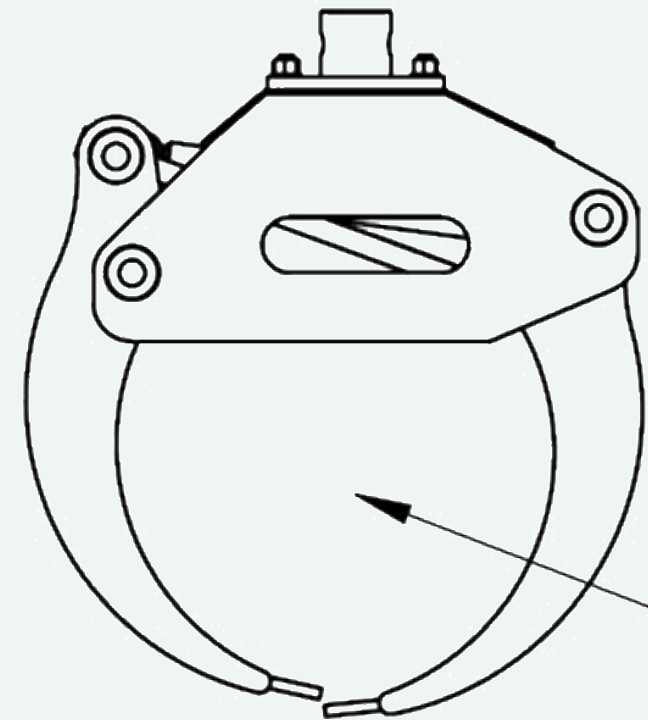


Recommended equipment

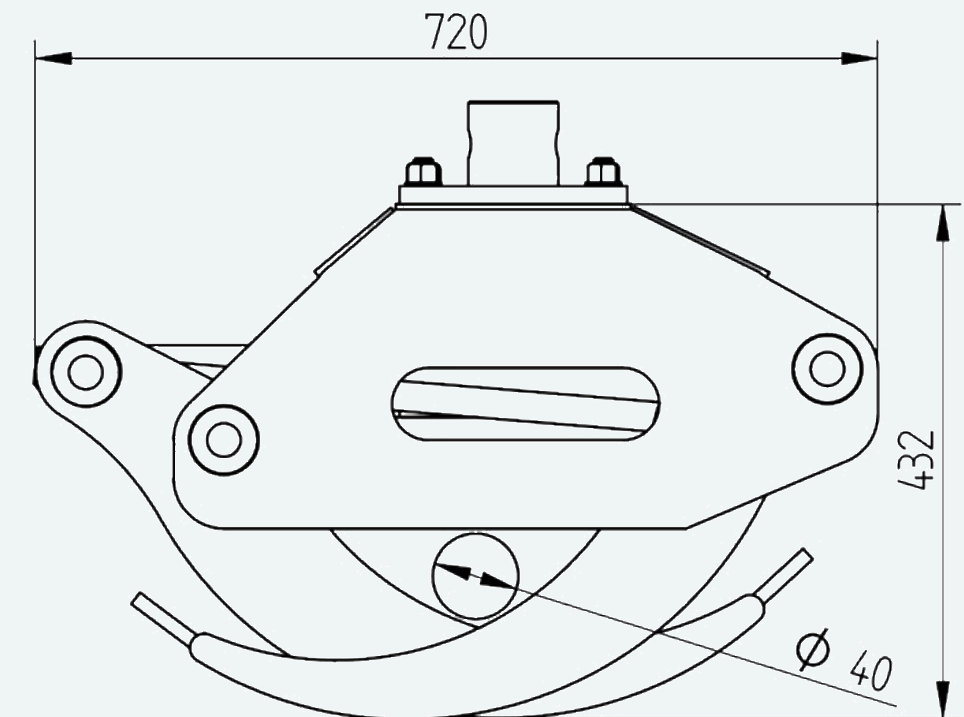
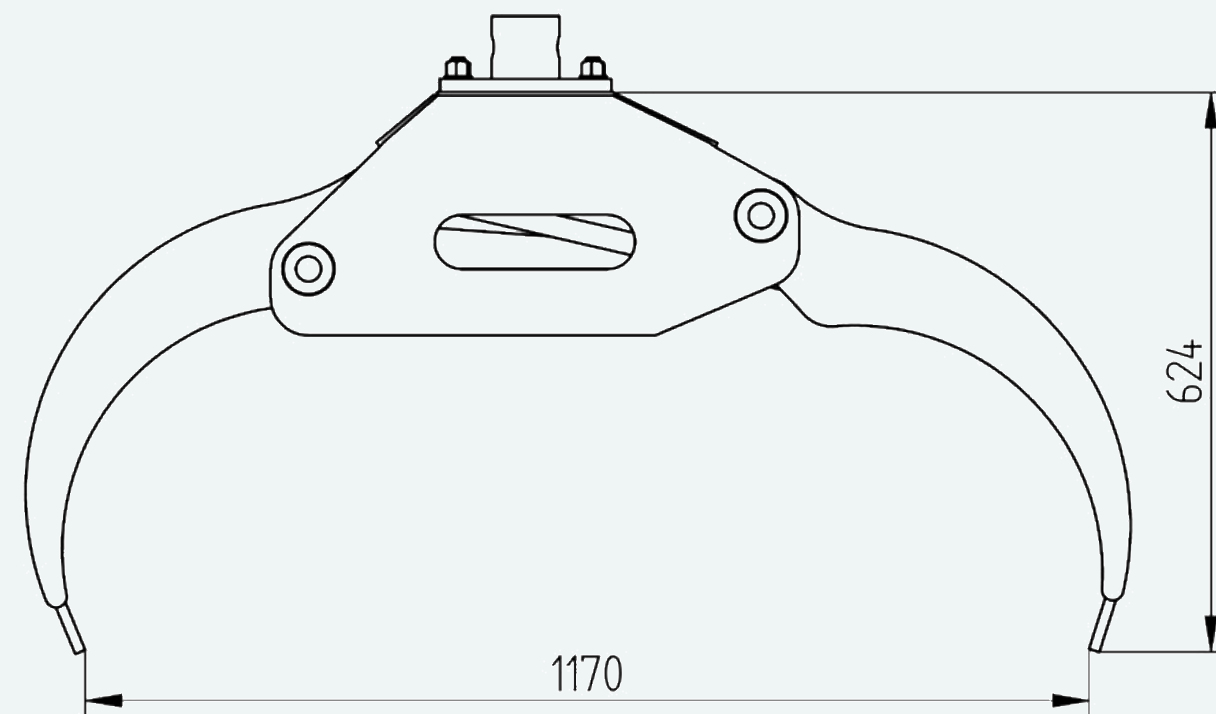
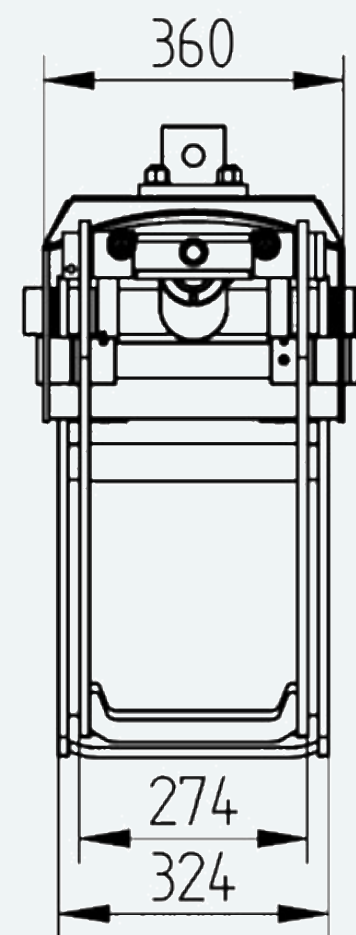


Forest grippers:	FG-20; FG-26
Grippers for scrap:	FBG-20; FBG-26
Bucket gripper:	FG-20 + KORR
Gripper for hay:	FG-26
Guillotine:	GFG-120
Swing damper:	FHL 01B
Rotator:	FHR 5.5SFH
	FHR 4.500L



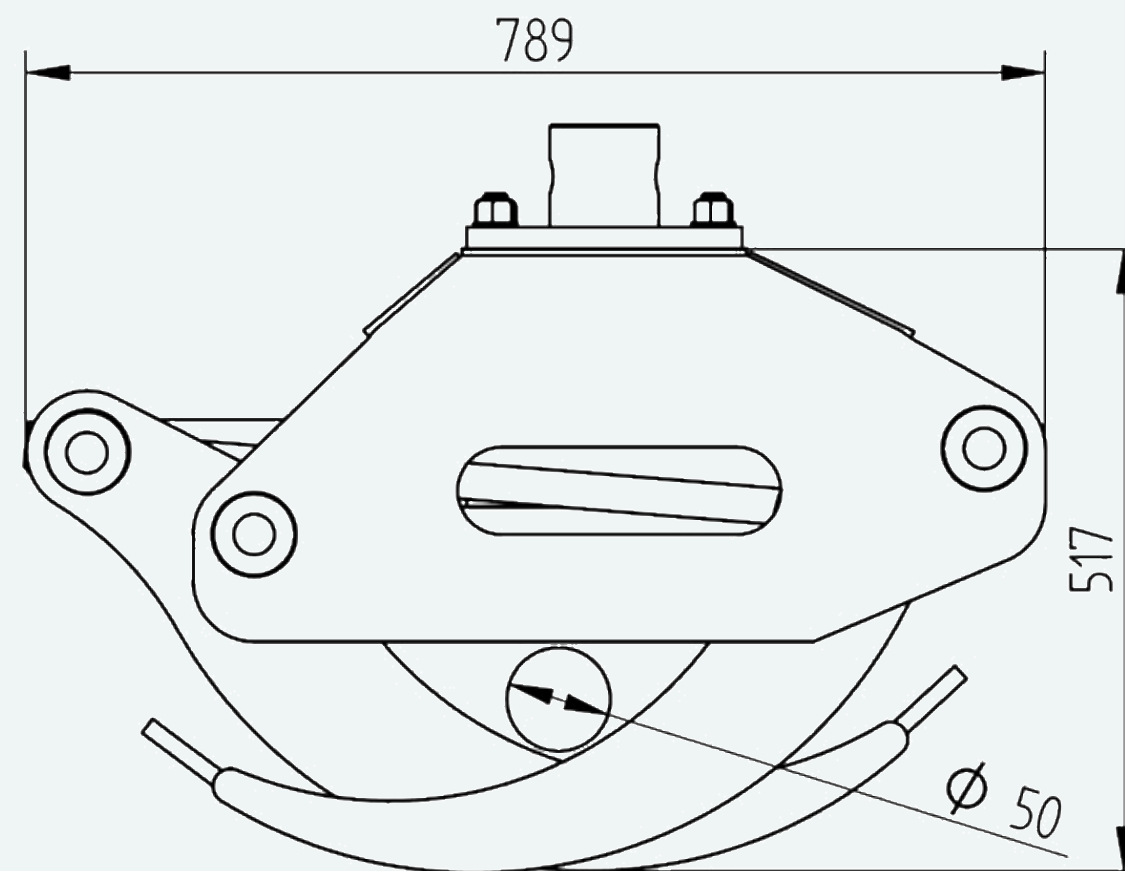
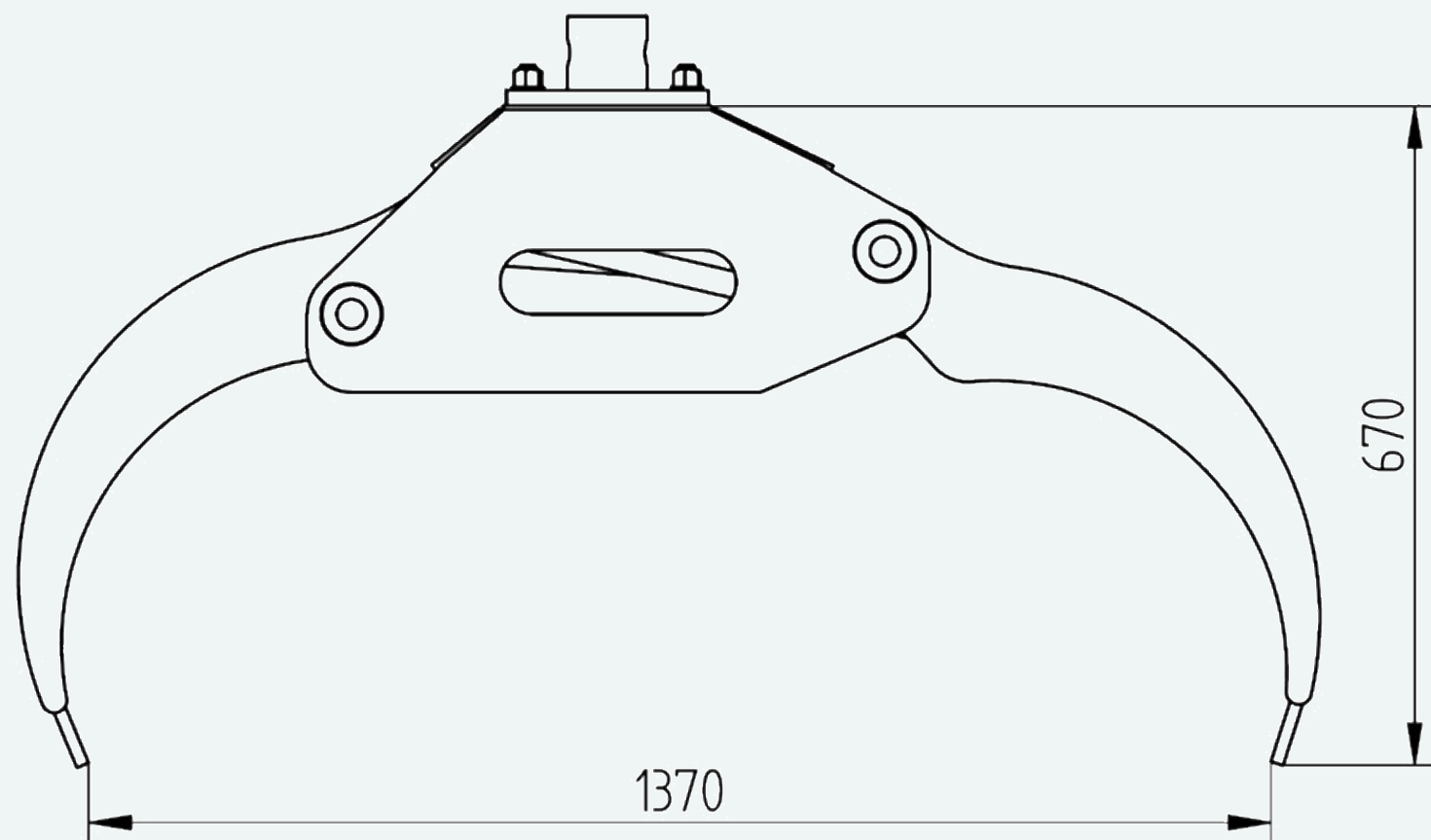
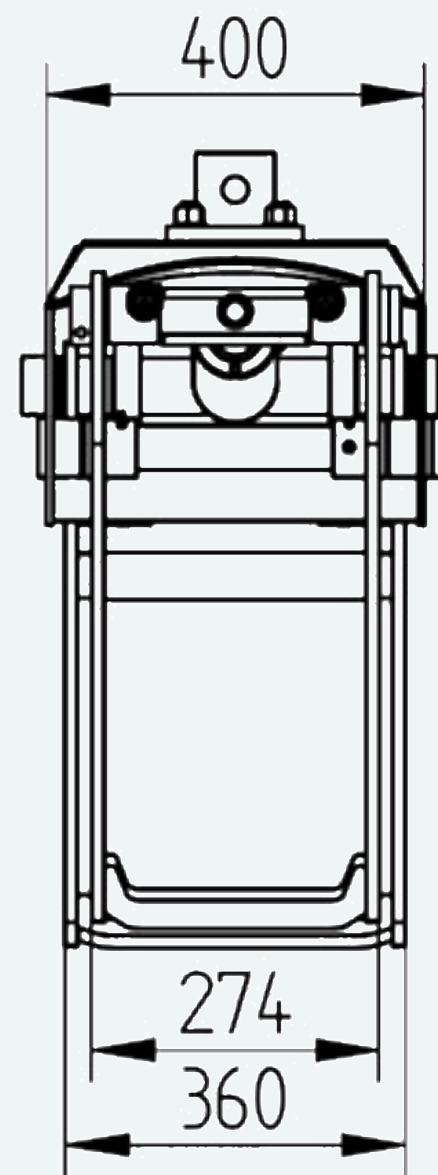


0,20 m²



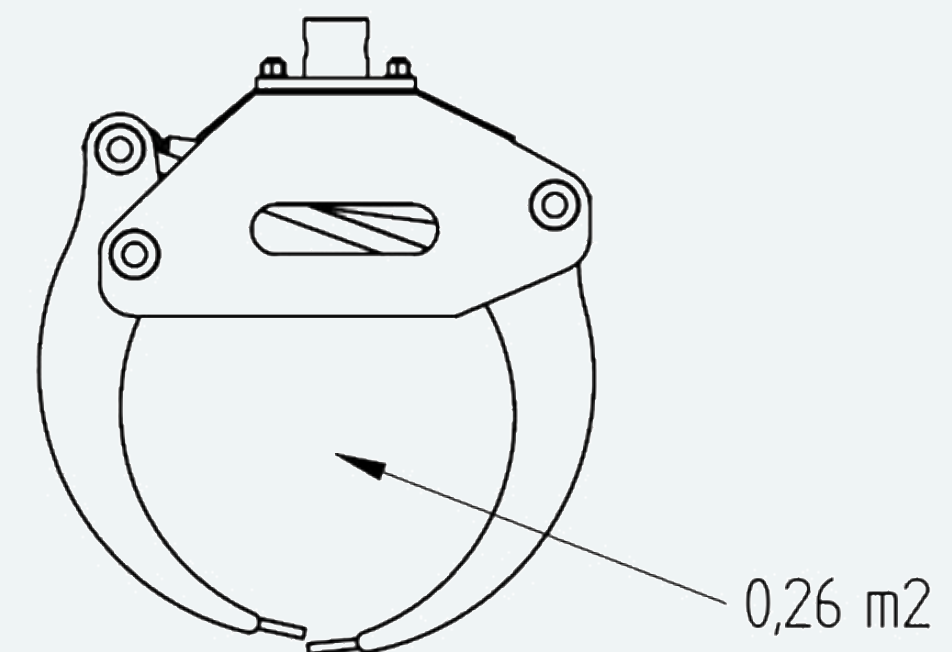
Specifications

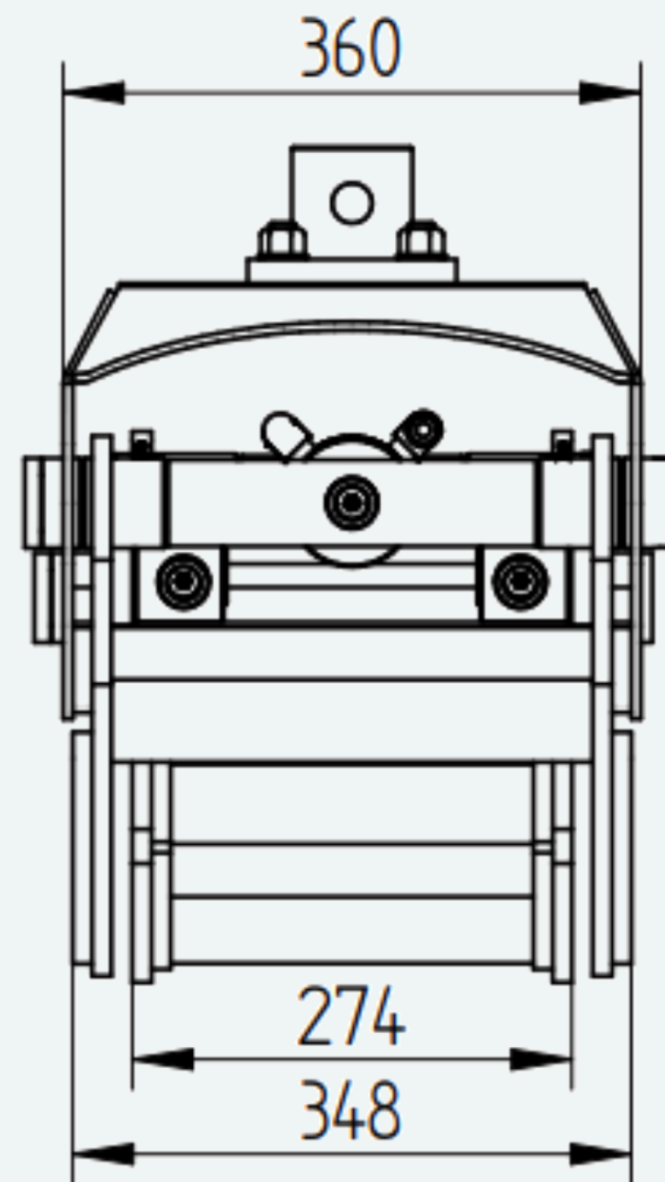
Weight, kg:	75
Max working pressure, bar:	175
Height closed, mm:	432
Height when open, mm:	624
Width large claw, mm:	324
Width small claw, mm:	274
House width, mm:	360
Max opening, mm:	1170
Min gripping diameter:	40
Gripping area, sq.m:	0,2
Max. permissible load, kg:	1000



Specifications

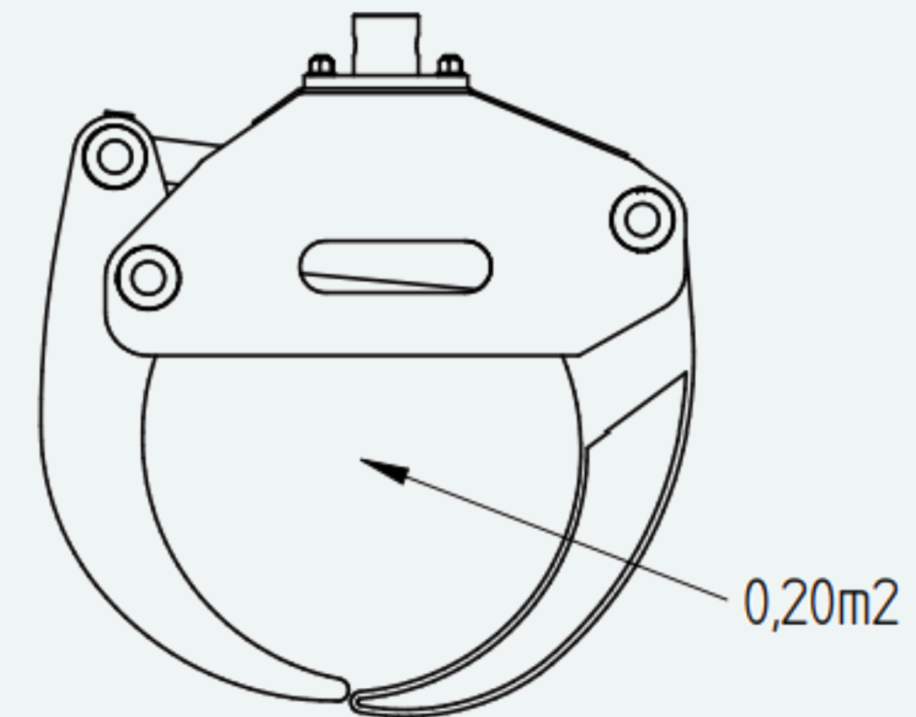
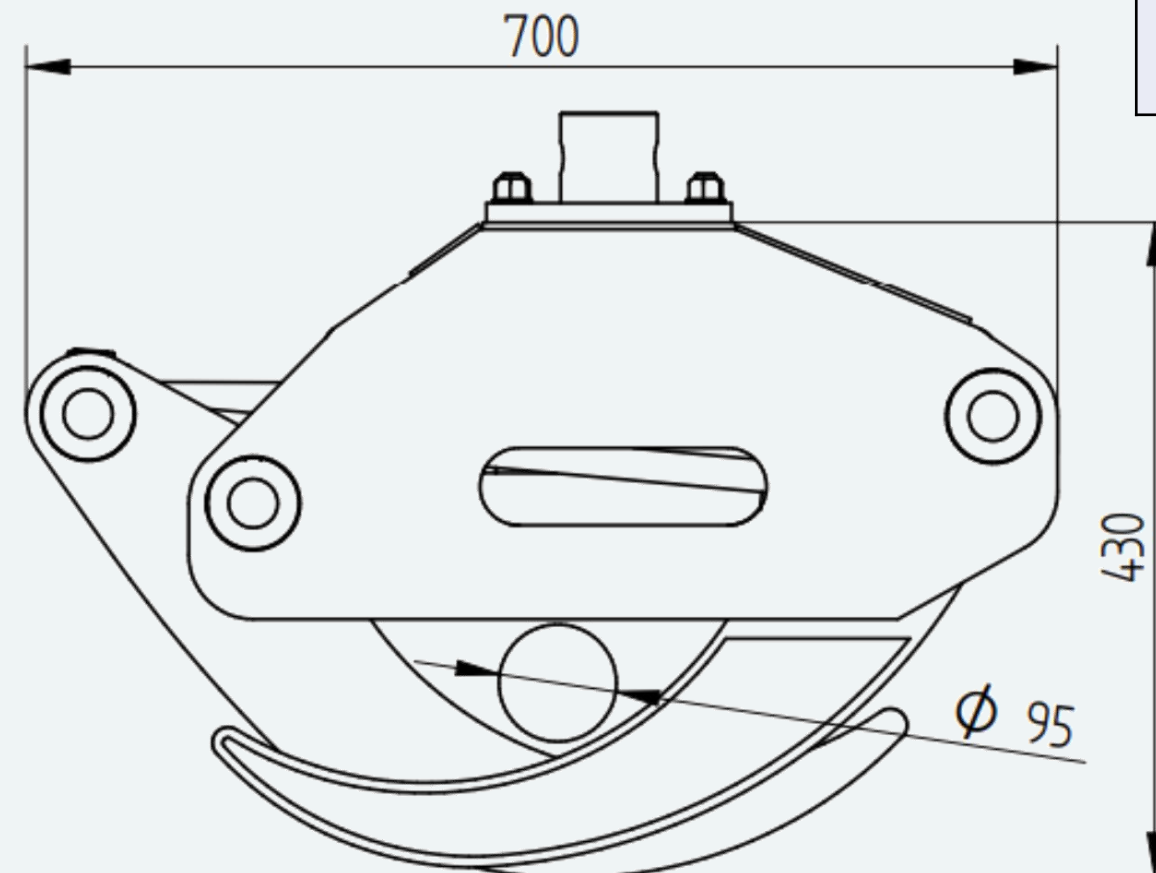
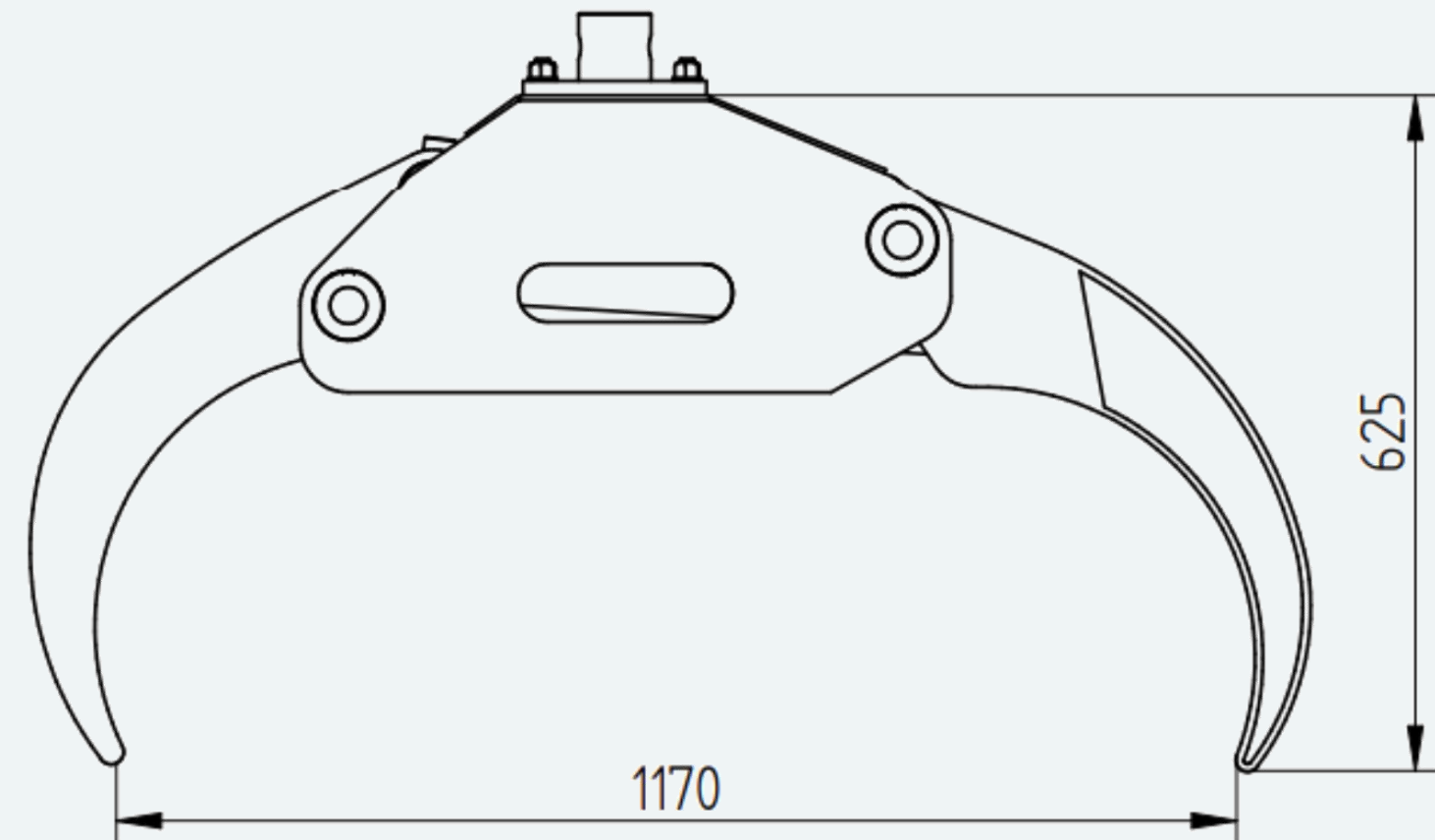
Weight, kg:	95
Max working pressure, bar:	175
Height closed, mm:	517
Height when open, mm:	670
Width large claw, mm:	360
Width small claw, mm:	374
House width, mm:	400
Max opening, mm:	1370
Min gripping diameter:	50
Gripping area, sq.m:	0,26
Max. permissible load, kg:	1200

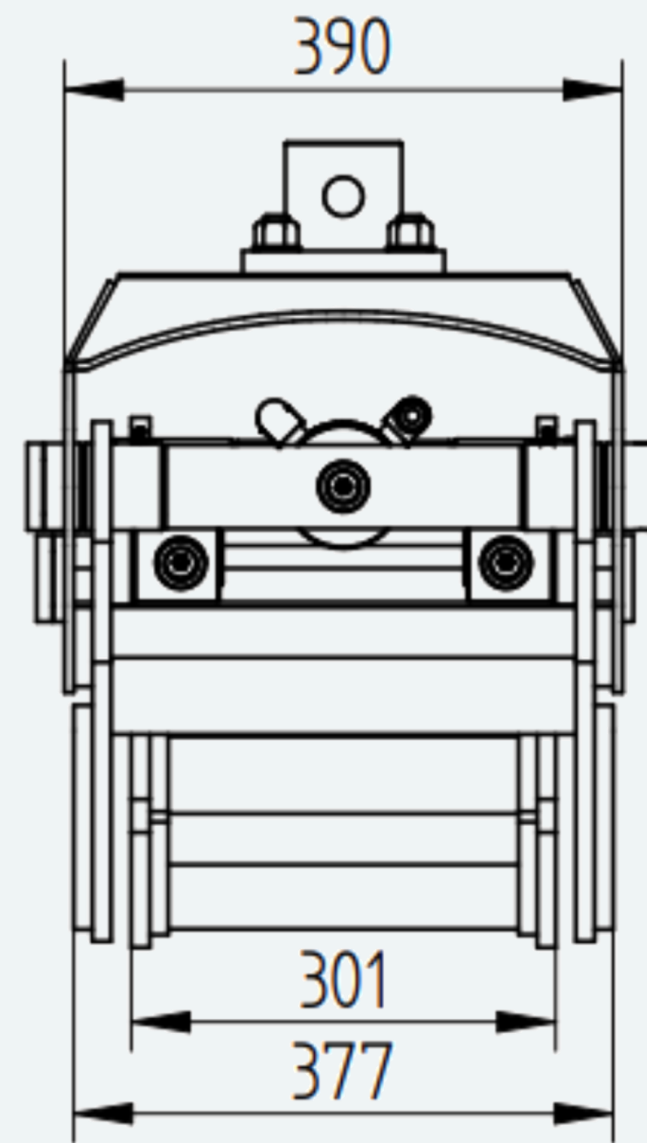


FBG-20**FORESTER**
FORESTRY EQUIPMENT

Specifications

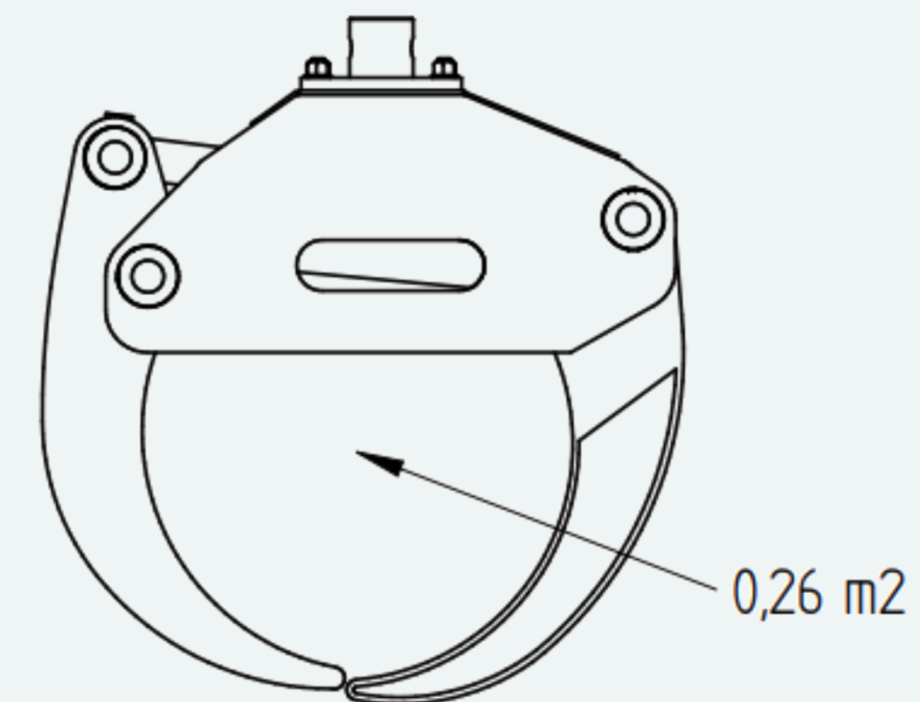
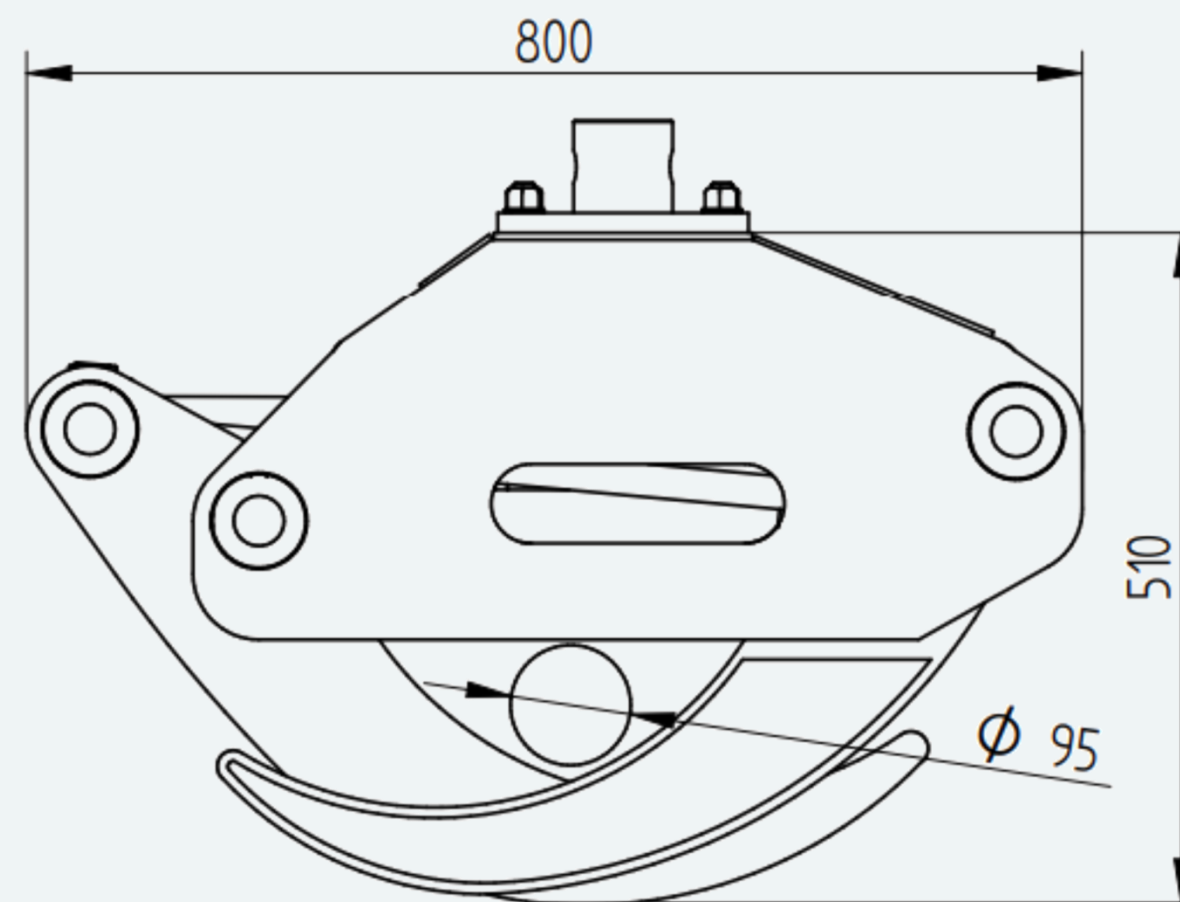
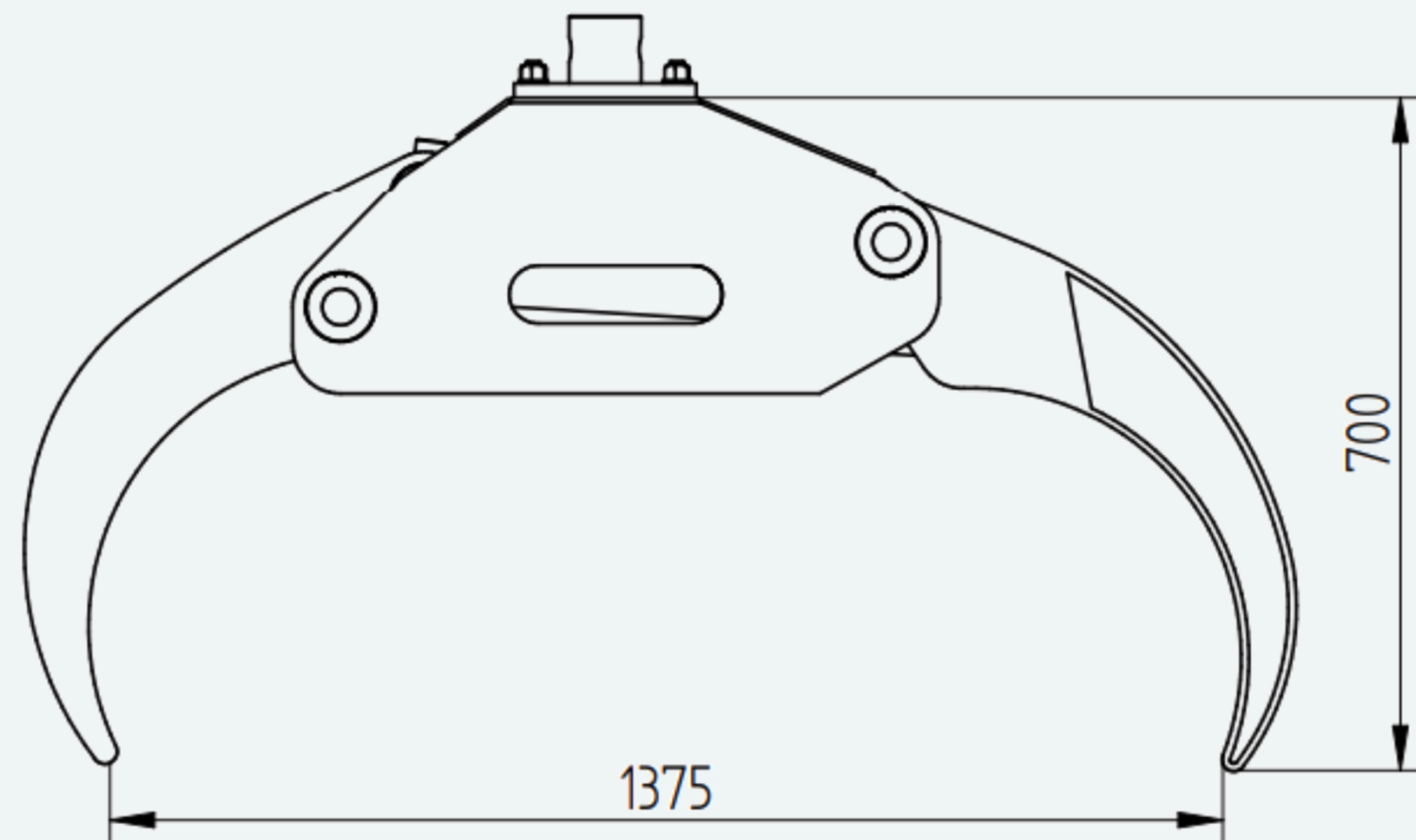
Weight, kg:	95
Max working pressure, bar:	175
Height closed, mm:	430
Height when open, mm:	625
Width large claw, mm:	348
Width small claw, mm:	274
House width, mm:	360
Max opening, mm:	1170
Min gripping diameter:	95
Gripping area, sq.m:	0,20
Max. permissible load, kg:	1100





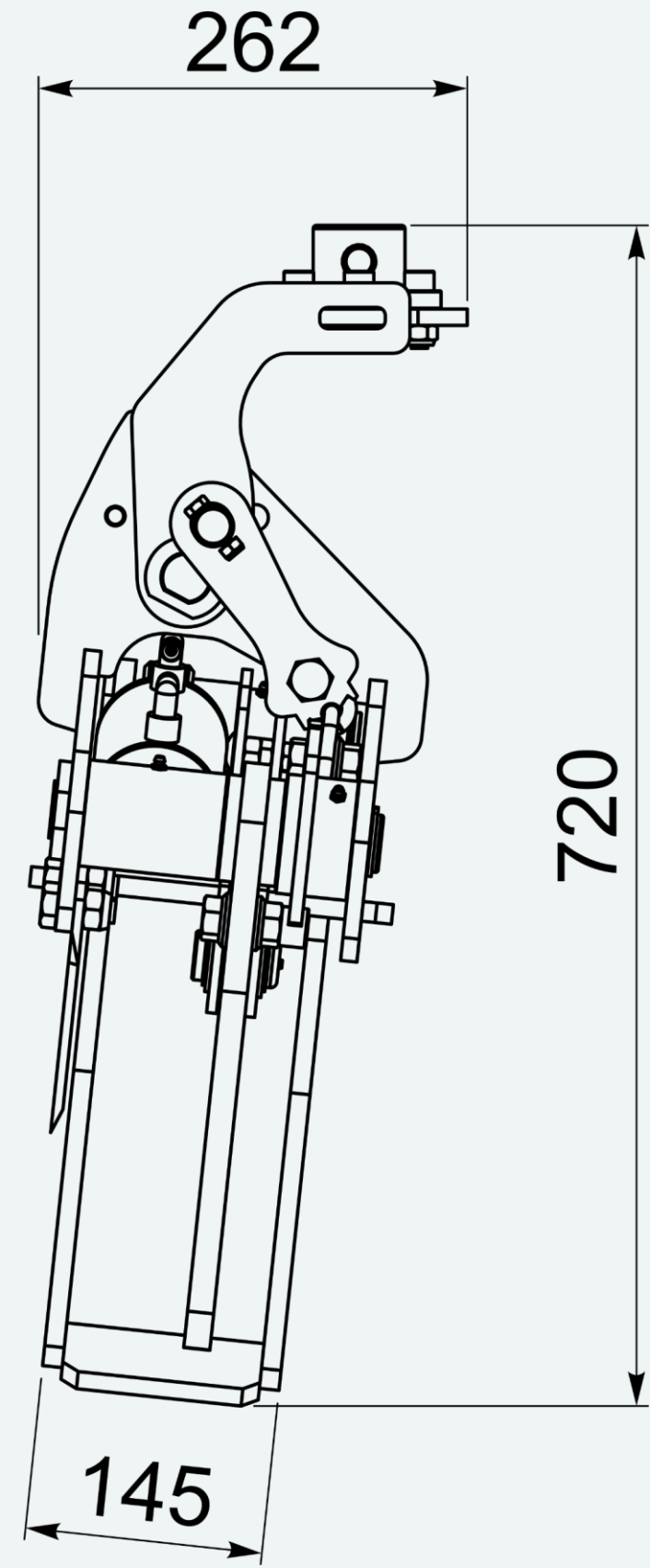
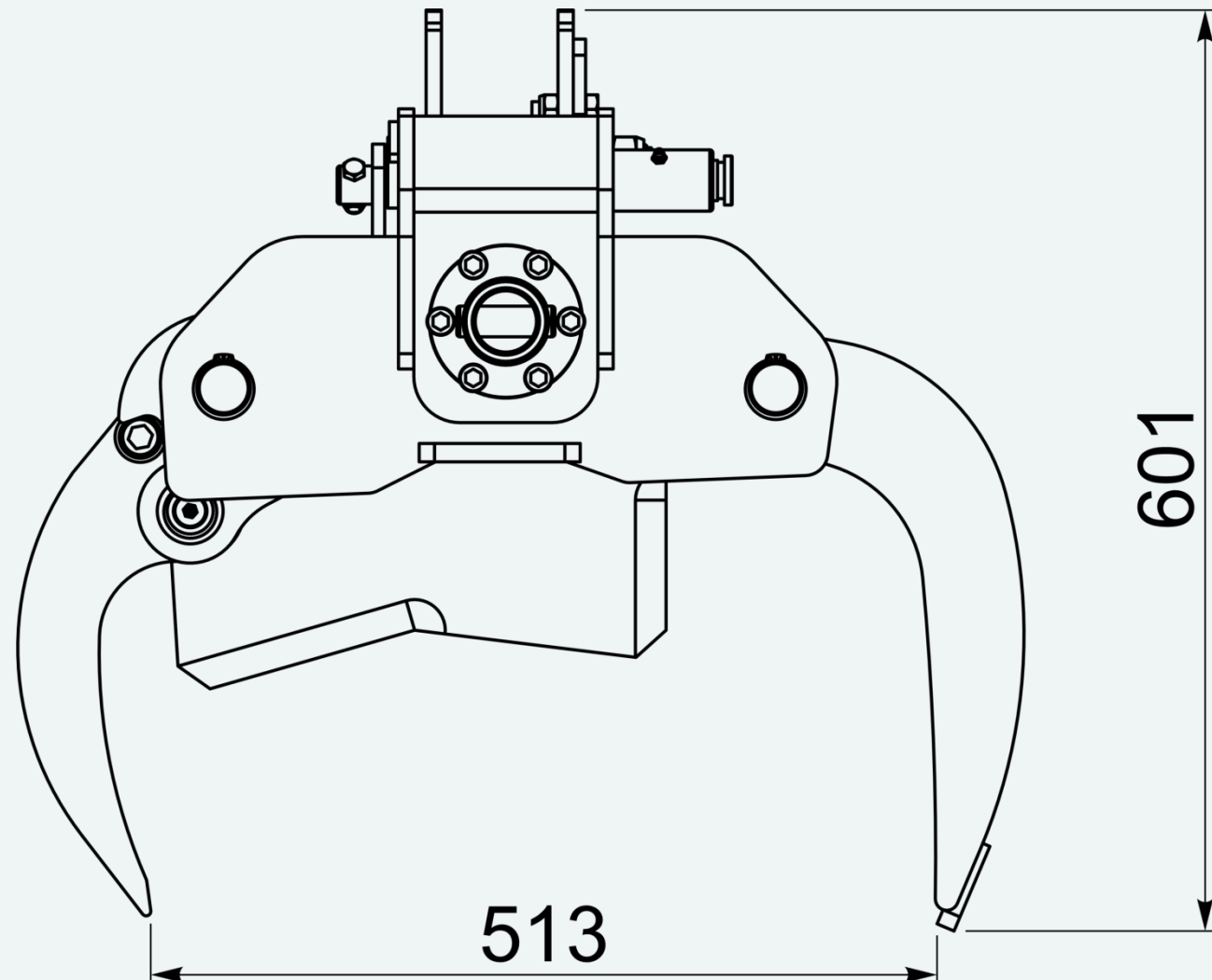
Specifications

Weight, kg:	107
Max working pressure, bar:	175
Height closed, mm:	510
Height when open, mm:	700
Width large claw, mm:	377
Width small claw, mm:	274
House width, mm:	390
Max opening, mm:	1375
Min gripping diameter:	95
Gripping area, sq.m:	0,26
Max. permissible load, kg:	1200



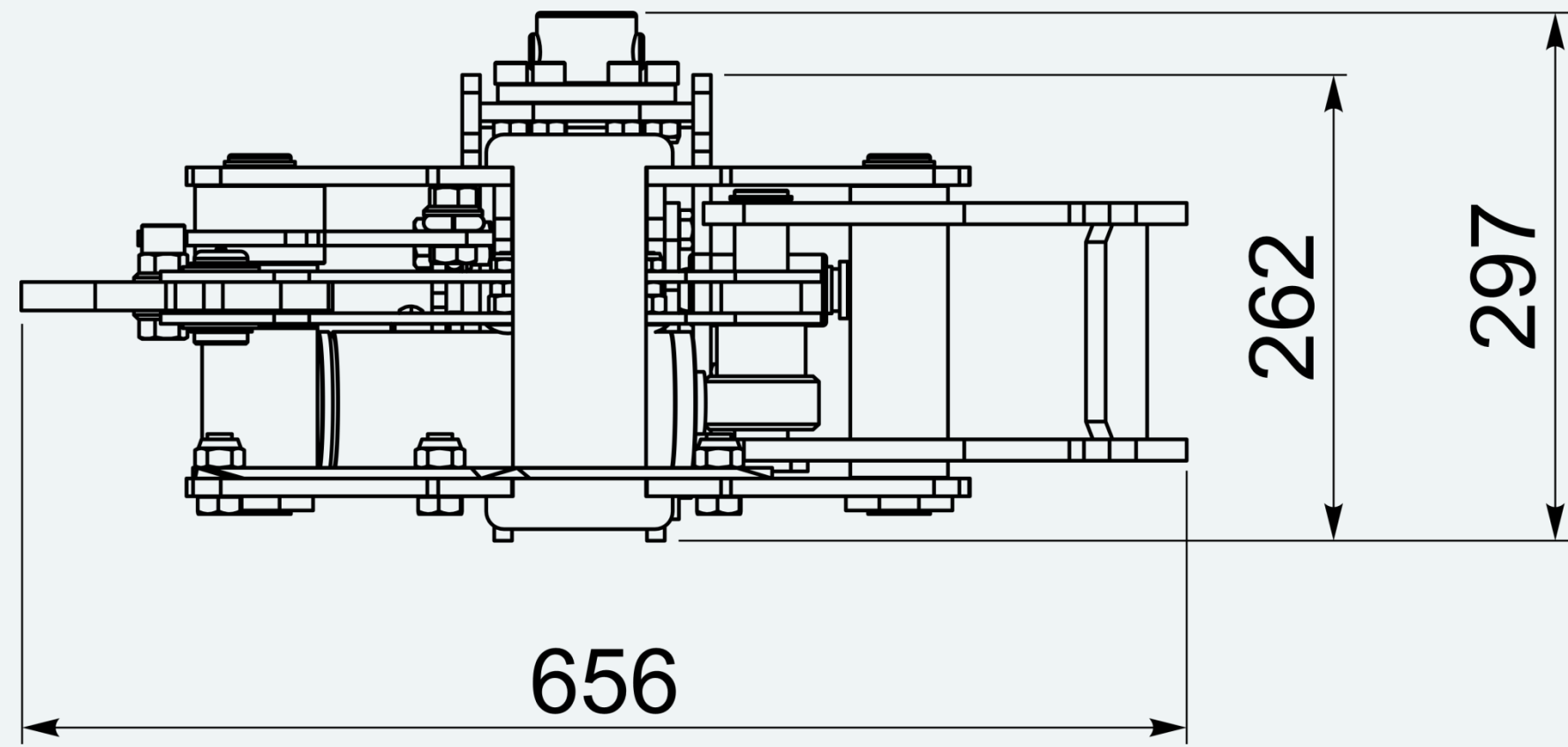
GFG-120

FORESTER
FORESTRY EQUIPMENT



Specifications

Weight, kg:	49
Working pressure, bar:	170-190
Max working pressure, bar:	210
Height closed, mm:	297
Height when open, mm:	720
House width, mm:	262
Max opening, mm:	513
Min cutting diameter, mm:	80-120



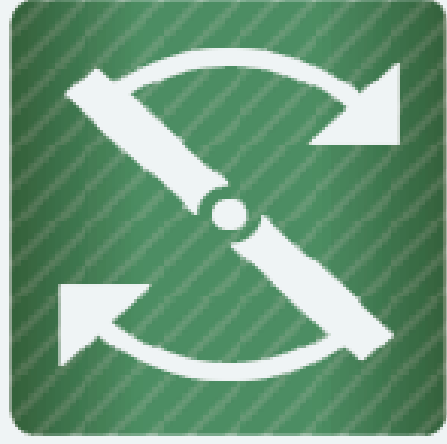
FHR 55SFH



55
kN



32.5
kN



1300
nm

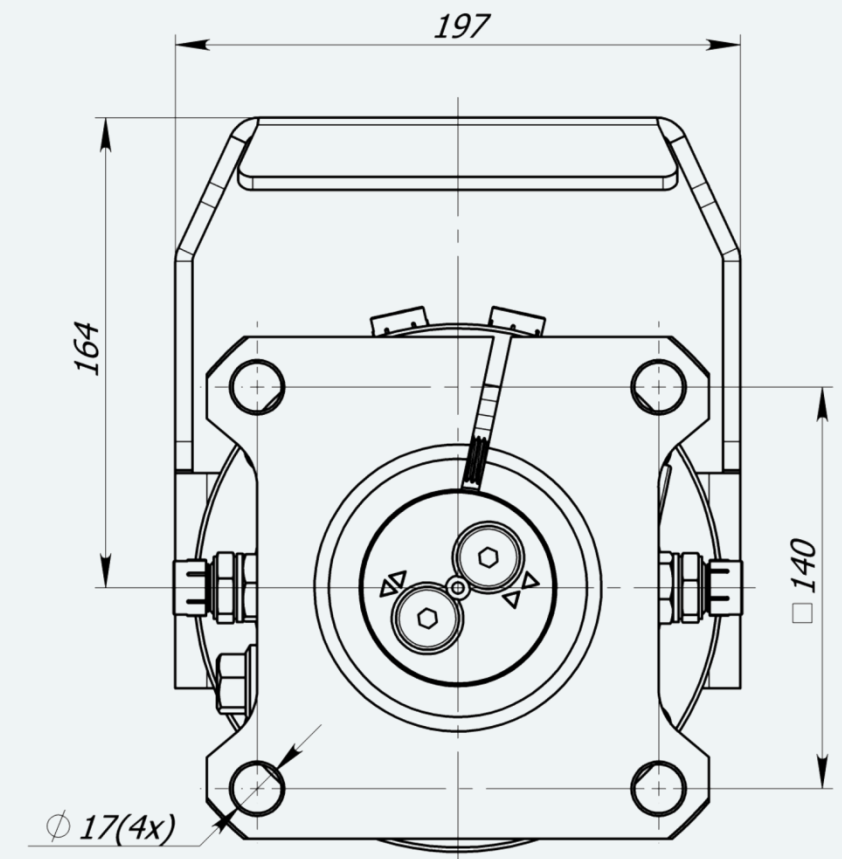
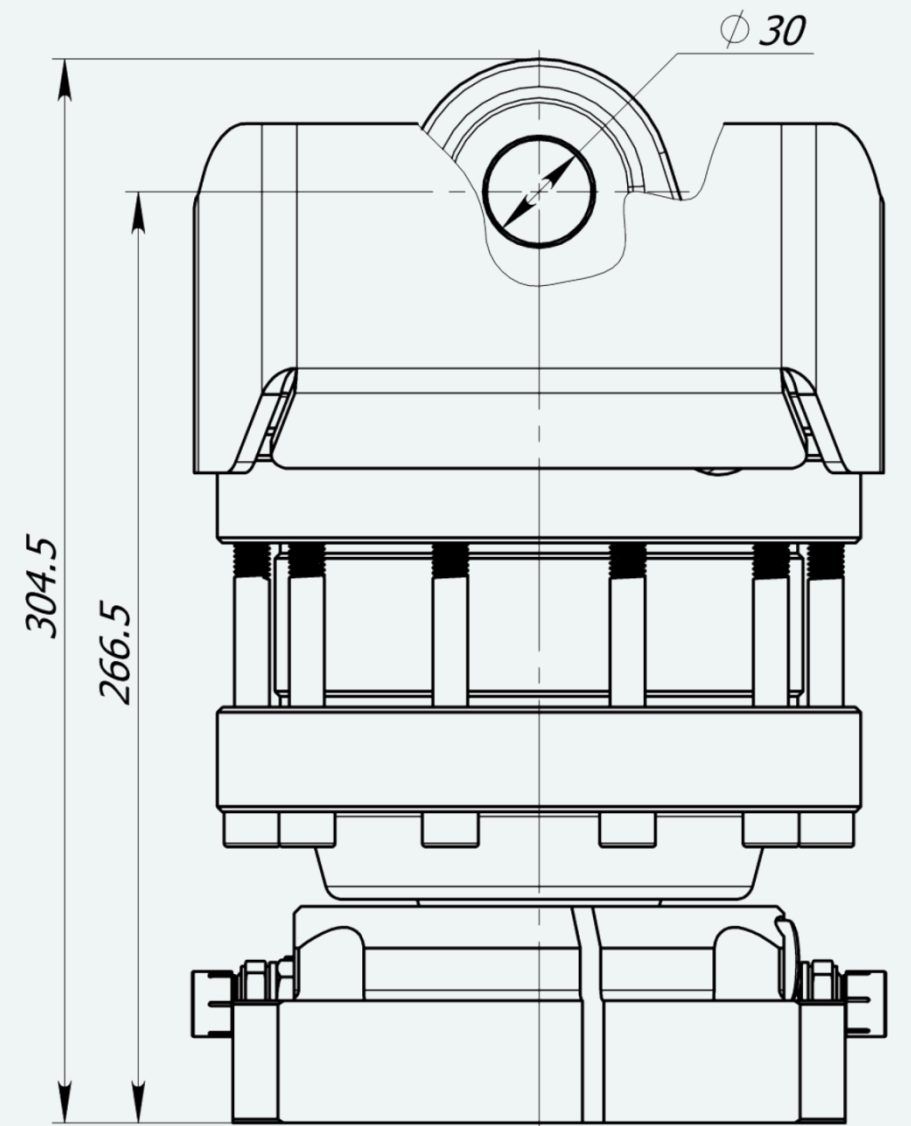
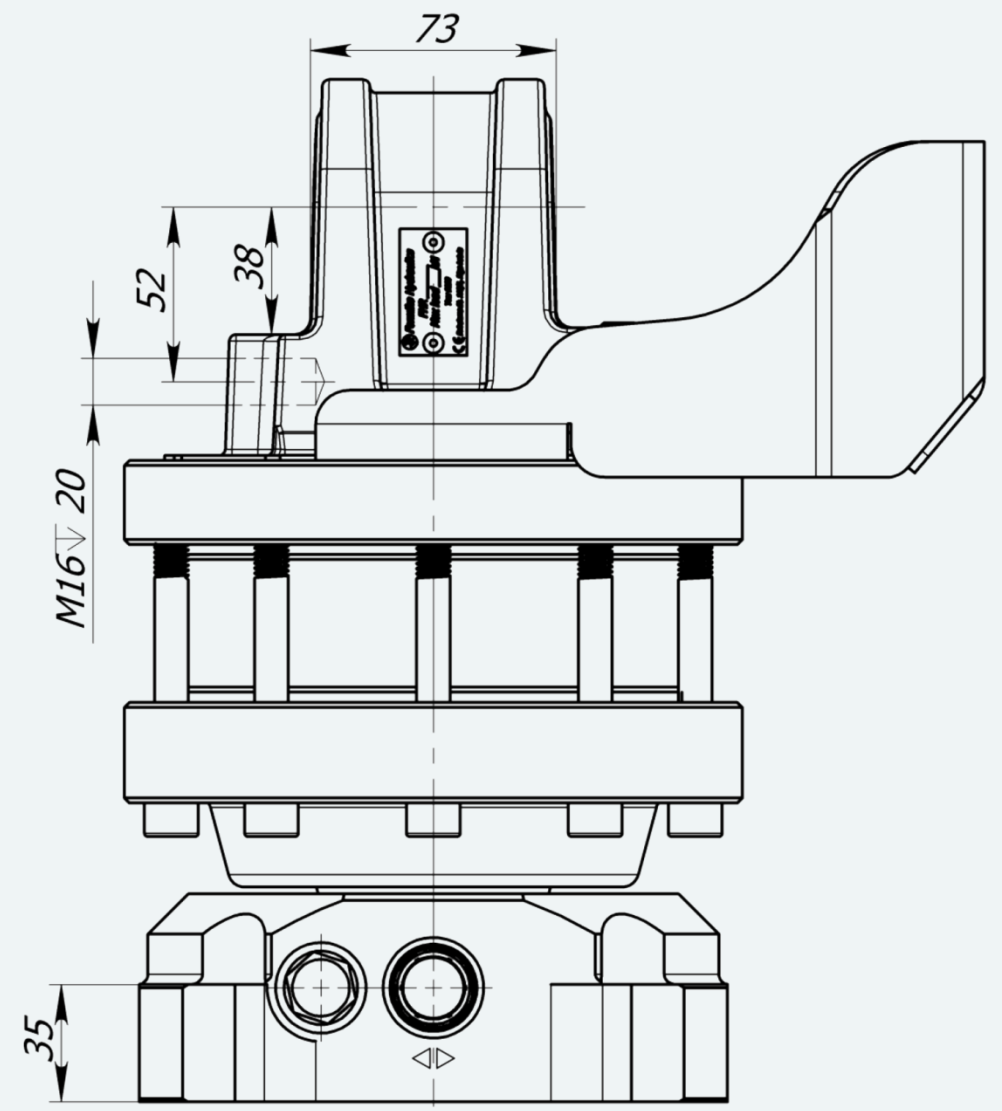


36
kg



22
l/min

FORESTER FORESTRY EQUIPMENT



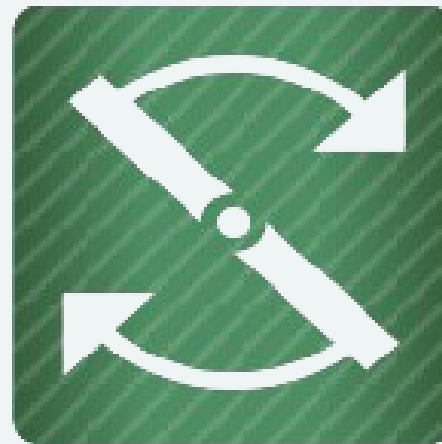
FHR 4500L



45
kN



22.5
kN



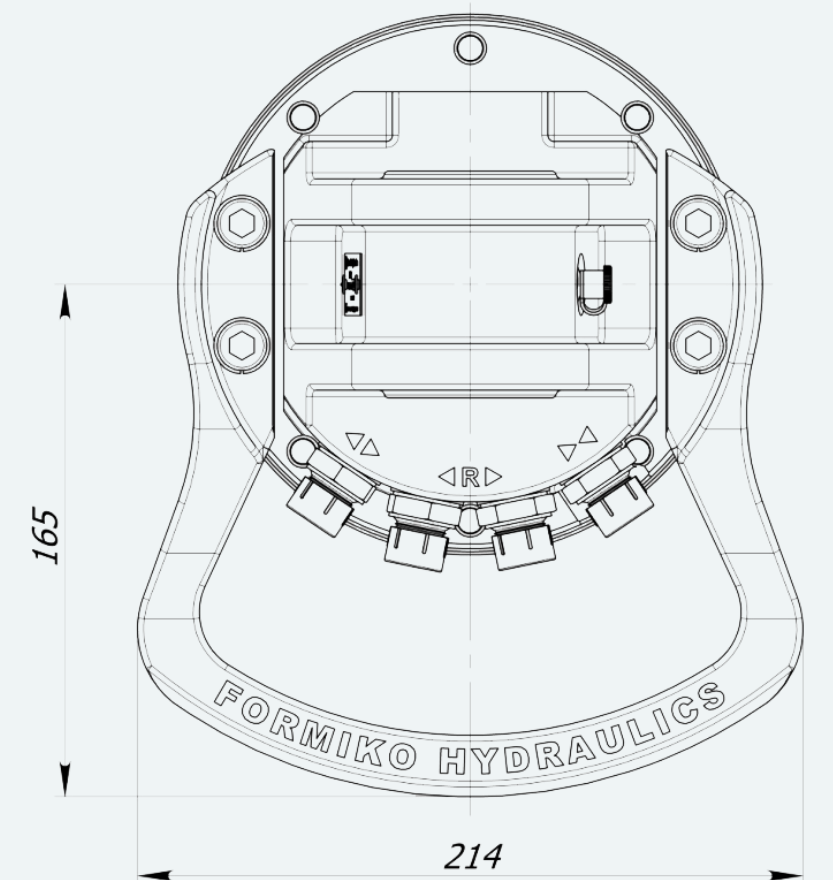
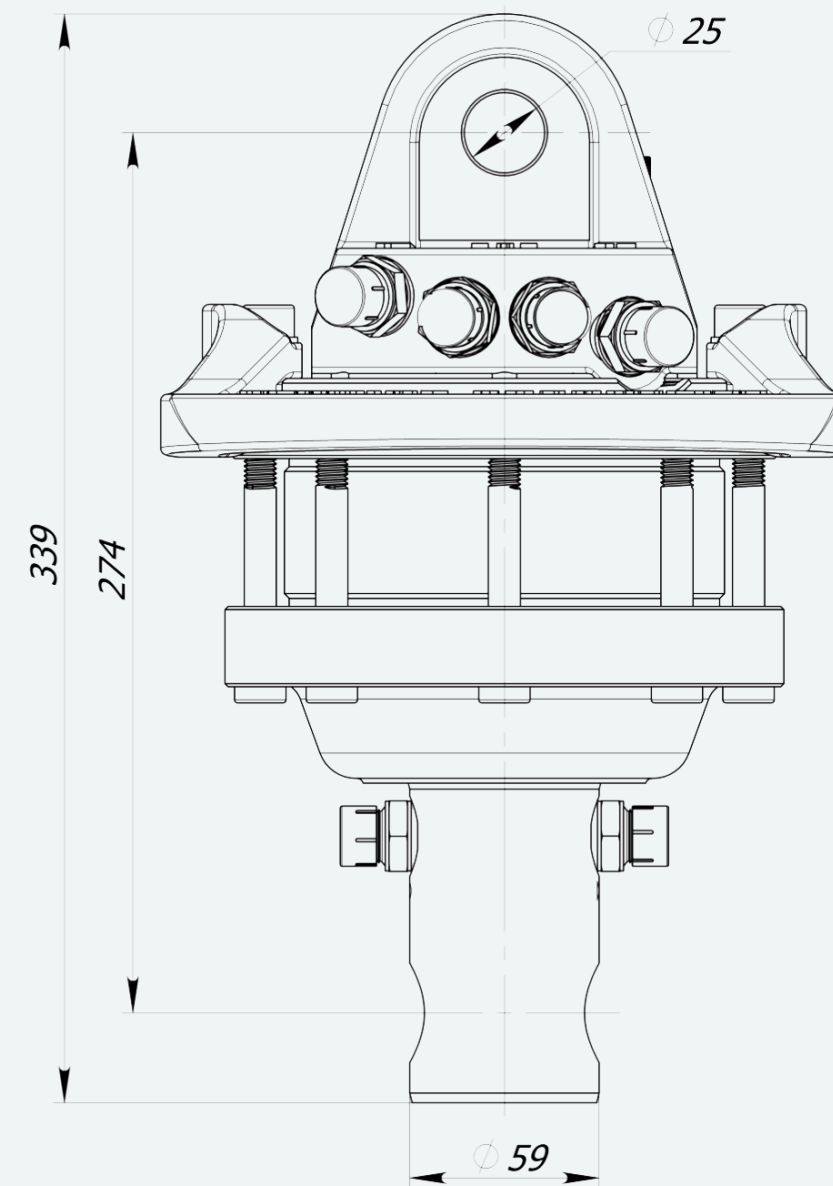
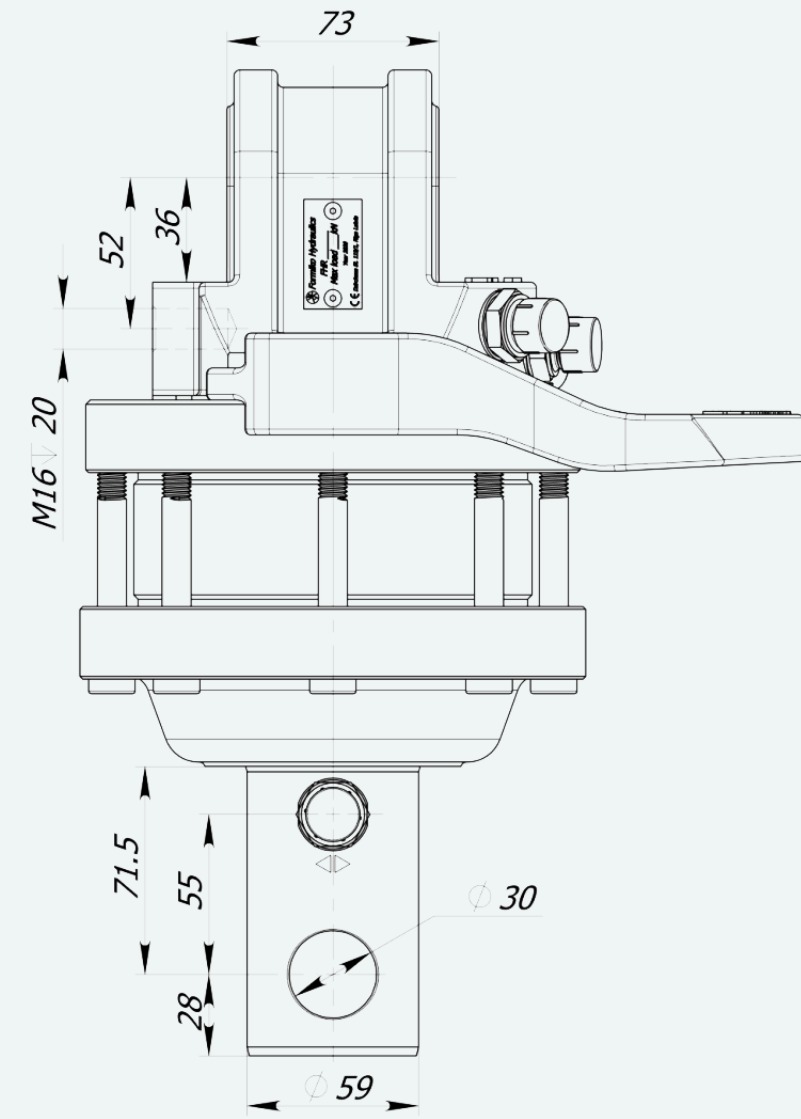
1200
nm



24
kg



20
l/min



FORESTER
FORESTRY EQUIPMENT